

SPECIFICATIONS

RECEIVER CHARACTERISTICS

Frequency Range	2-25 MHz in 100 Hz steps
Number of Channels	150 pre-programmed channels and 164 channels for memory
Receiving System	Synthesized double super heterodyne
Mode of Reception	F3C
Sensitivity	Less than 2 µV at 20 dB SINAD
Tuning Monitor	3 LEDs indicate whether the frequency is properly received or that it should be moved up or down.

RECORDER CHARACTERISTICS

Recording System	Thermal head printing. Thermal recording paper (257 mm x 30 m) with effective width of 252 mm
Scanning Speed	60, 90 or 120 rpm
I.O.C.	576 or 288
Gradation	9 gradations
Phase Control	Automatic or manual
External Input Signal Operation	Level 0 dBm at 600 ohms Automatic or manual Automatic start/stop by W.M.O. remote control signal Schedule Timer: 16 programs/week

POWER SUPPLY (please specify when placing a purchase order)

AC model:	100/115/200/230 VAC: 0.3/0.26/0.15/0.13 A
DC model:	12-24 VDC: 2.3-1.15 A

Environment

Temperature:	-10°C to +50°C
--------------	----------------

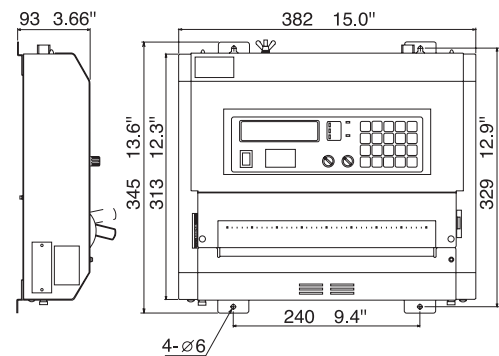
EQUIPMENT LIST

Standard		
1. Receiver Unit (1 roll of thermal paper inset) FAX-410	1 unit	
2. Installation Materials and Standard Spare Parts	1 set	
Option		

1. Pre-amp unit FAX-5 with 1 m or 15 m cable
2. Whip Antenna for FAX-5 04S4176
3. Extension Kit for Antenna Cable OP04-2 10/20/30/40/50 m
4. Whip Antenna FAW-6R2/FAW-6R2A (6 m)
5. Junction Box ARD-1
6. Recording Paper F220VP

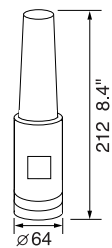
Receiver Unit

FAX-410 7.4 kg 16.3 lb

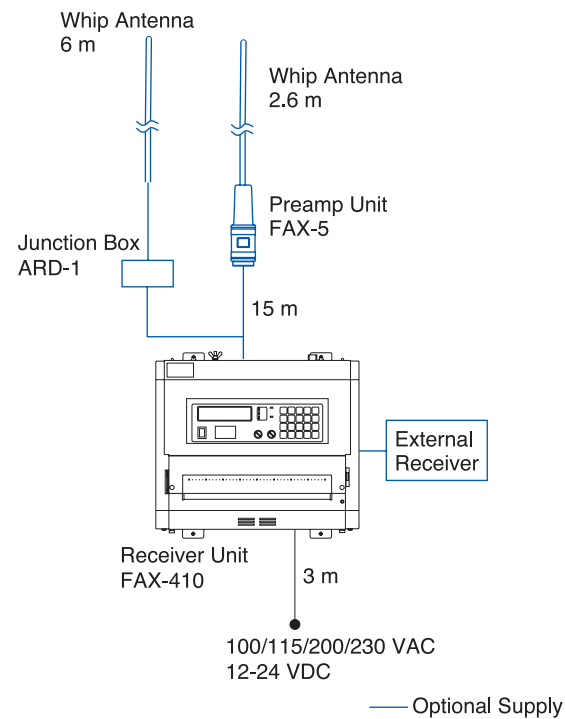


Preamp Unit (option)

FAX-5 1.3 kg 2.9 lb



INTERCONNECTION DIAGRAM



WEATHER FAX

Weather Facsimile Receiver

Weather FAX FAX-410



TRADE MARK REGISTERED MARCA REGISTRADA
SPECIFICATIONS SUBJECT TO CHANGE WITHOUT NOTICE

FURUNO U.S.A., INC.

Camas, Washington, U.S.A.
Phone: +1 360-834-9300
Fax: +1 360-834-9400

FURUNO (UK) LIMITED

Havant, Hampshire, U.K.
Phone: +44 2392-441000
Fax: +44 2392-484316

FURUNO FRANCE S.A.

Bordeaux-Mérignac, France
Phone: +33 5 56 13 48 00
Fax: +33 5 56 13 48 01

FURUNO ESPAÑA S.A.

Madrid, Spain
Phone: +34 91-725-90-88
Fax: +34 91-725-98-97

FURUNO DANMARK AS

Hvidovre, Denmark
Phone: +45 36 77 45 00
Fax: +45 36 77 45 01

FURUNO NORGE A/S

Ålesund, Norway
Phone: +47 70 102950
Fax: +47 70 127021

FURUNO SVERIGE AB

Västra Frölunda, Sweden
Phone: +46 31-7098940
Fax: +46 31-497093

FURUNO FINLAND OY

Espoo, Finland
Phone: +358 9 4355 670
Fax: +358 9 4355 6710

FURUNO POLSKA Sp. z o.o.

Gdynia, Poland
Phone: +48 58 669 02 20
Fax: +48 58 669 02 21

FURUNO DEUTSCHLAND GmbH

Rellingen, Germany
Phone: +49 4101 838 0
Fax: +49 4101 838 111

LLC FURUNO EURUS

Petersburg, Russia
Phone: +7 812 767 15 92
Fax: +7 812 766 55 52



06043U Printed in Japan



The future today with FURUNO's electronics technology.
FURUNO ELECTRIC CO., LTD.

9-52 Ashihara-cho, Nishinomiya City, Japan Phone: +81 (0)798 65-2111
Fax: +81 (0)798 65-4200, 66-4622 URL: www.furuno.co.jp

Catalogue No. FX-620

TRADE MARK REGISTERED
MARCA REGISTRADA



Weather Facsimile Receiver
FAX-410

The FAX-410 is a new marine weather facsimile receiver designed to receive and print high quality, high definition weather charts and satellite images, which are transmitted from onshore stations located around the world.

The FAX-410 can automatically select the receiving band depending on the quality of current signal reception. This enables the FAX-410 to receive the high quality weather charts and satellite images with little noise even under changing weather conditions. The receiving channels can be selected from total of 314 channels: 150 pre-

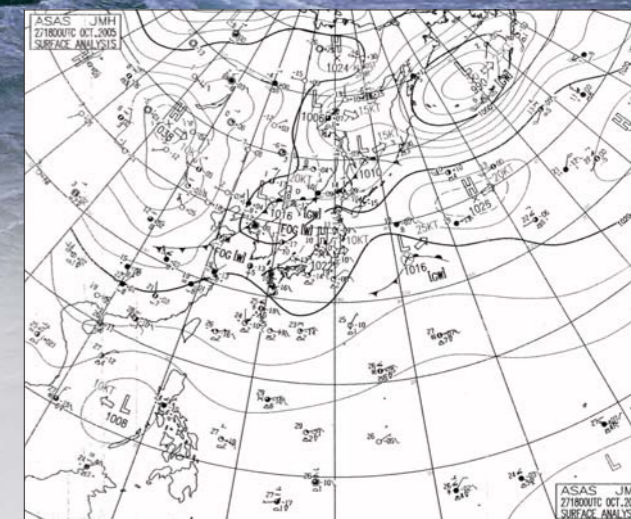
programmed and 164 user-programmed channels. The FAX-410 can also be programmed for automatic, unattended operation by time or by WMO remote control signal. Up to 16 programs can be set per week for such an automatic operation.

The weather charts and satellite images are printed quietly on 10" wide thermal recording paper. The satellite images are printed with 9 gray levels (from black to white) to display highly defined images of clouds.

- ▶ **Automatic channel selection by judging the quality of signal reception**
- ▶ **All known facsimile channels in 2-25 MHz bands are pre-programmed: 150 channels**
- ▶ **Additional memory capacity of 164 user-programmable channels available**
- ▶ **Full automatic operation by a built-in schedule timer (16 programs can be set per week for automatic operation)**
- ▶ **Quiet thermal printing due to minimal mechanical components**
- ▶ **10" wide thermal recording paper with clear and easy-to-watch weather charts and satellite images in nine gray levels**

Weather Chart

Automatic reception of the channel with the highest signal quality available enables the FAX-410 to receive and print out weather charts with little noise. The channel selection is automatically made according to receiving locations and time of the day.



Front Panel

LCD

The LCD on the front panel can display two lines of 32 characters. 4 levels of backlight brightness of the LCD can be selected according to the lighting conditions of the bridge area simply by pressing DIM key.

Tuning Indicator

3 LEDs indicate the reception status illustrating whether the frequency is properly tuned or it should be moved up or down.



Synchronization Setting

When printed weather charts and satellite images glide to left or right, synchronization can be adjusted by a SYNC knob.

Keys

Operational setting can be configured with combinational use of operation keys and ten keys on the front panel. The following is the brief introduction to the operational setting of the FAX-410.

- PRG** Mode selection
- DIM** Backlight brightness setting
- SPD** Selection of scanning speed
- IOC** Switching of IOC
- FRQ** Switching to the frequency mode and frequency selection
- CH** Switching to the channel mode and channel selection
- REV** Reversing black-white in recording
- RCD** Start/stop recording