

COLOR ECHO SOUNDER SES-2000

- ❖ 10.4" Color TFT LCD
- ❖ Compliant with IMO regulations
- ❖ Memory for Max. 12 hours
- ❖ User-friendly menu
- ❖ Alarm for designated depth



NEW

10.4"



SAMYUNG ENC Co.,Ltd.

COLOR ECHO SOUNDER

SES-2000

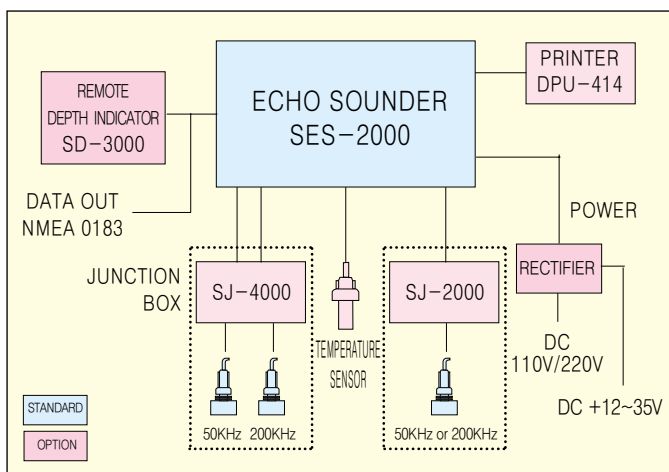
FEATURES

- Compliant with IMO regulations.
- 10.4" COLOR TFT LCD.
- Memory for Max. 12 hours.
- Alarm for designated depth.
- Can display position(Latitude, Longitude), Direction, Speed, Water Temperature When interfacing with outside input.
- User-friendly menu.
- Can select depth display in remote(option).

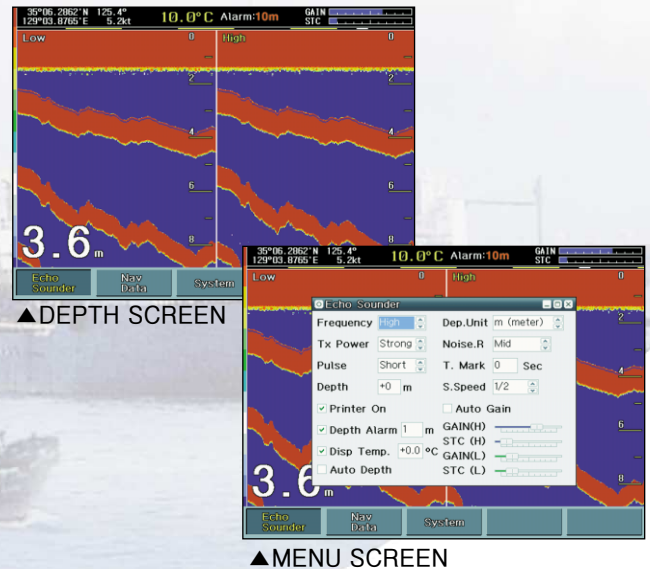
SPECIFACATION

- Display : 10.4" COLOR TFT LCD
- Display color : 256 colors
- Operating frequency : 50KHz or 200KHz
- Beam width(-3dB) : 50KHz(28°), 200KHz(5.4°)
- Output : 2 steps(H/L), 600W RMS
(automatic conversation according to depth range)
- Depth setup(m) : 0~20, 0~50, 0~100, 0~200, 0~500, 0~1,000
- Depth draft : 0~20m
- Shift speed(1dispaly/min) : 1/15, 1/12, 1/8, 1/4, 1/2, stop(6steps)
- Storage speed and time : Min. 91min, Max. 12hrs
- Mark : Automatic & Manual setup
(00hrs. 00min. 00sec. ~99hrs. 60min. 60sec setup)
- Display of function : Sensitivity, Attenuation,
Transmating output, Time marking,
Depth, Variable scales,
Outside input : position, ship speed, direction
- Alarm : Sound & Display
- Interface : SAMYUNG, NMEA 0183
- Power : DC+12~35V
- Option : Remote depth indicator(SD-3000)
- Temperature range : -10°C ~ +40°C

CONFIGURATION



SCREEN LAY-OUT



COMPONENT

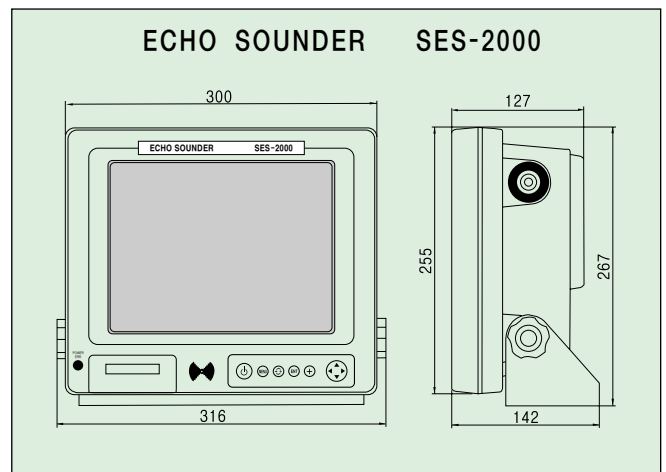
STANDARD

- Display(SES-2000) ×1EA
- Transducer(50KHz or 200KHz, 50KHz/200KHz) ×1EA
- Installation material ×1LOT

OPTION

- Remote depth indicator(SD-3000)
- Transducer junction box(SJ-2000/4000)
- Printer(DPU-414) • Rectifier • Temperature sensor

DIMENSIONS



* Specification is subject to change without pre-notice



Head Office : 1123-17, Dongsam-Dong, Youngdo-Gu, Busan, Korea, 606-083
 Tel : 82-51-601-5530(Rep.) Fax : 82-51-413-4446
A/S Center : 65-20, 2-Ga Namhang-Dong, Yungdo-Gu, Busan, Korea, 606-032
 Tel : 82-51-601-5570-4(Rep.) Fax : 82-51-416-5515
 Http : //www.samyungenc.com



ISO 9001:2000 / KS A 9001:2001
 Certificate No. : RQM0645

