



## SPECIFICATIONS

Product Name	Inmarsat-C Mobile Earth Station <b>FELCOM18</b>	Inmarsat MINI-C Mobile Earth Station <b>FELCOM19</b>
Frequency	TX:	1626.5-1646.5 MHz
	RX:	1537.0-1544.2 MHz
Channel Spacing	5 kHz	
Modulation Rate and format	TX:	600, 1200 sps Unfiltered BPSK
	RX:	1200 sps Unfiltered BPSK
Minimum G/T	-23.0 dB/K (at elv. 5°)	-23.7 dB/K (at elv. 5°)
Output Power	12-16 dBW (at elv. 5°)	7-16 dBW (at elv. 5°)
Power Supply	12-24 VDC	
	TX:	less than 130 W
RX:	less than 60 W	

## ENVIRONMENT

Temperature	Antenna Unit	-35 to +55°C (Storage: +70°C)
	BDE	-15 to +55°C
Relative Humidity	40°C 95%	

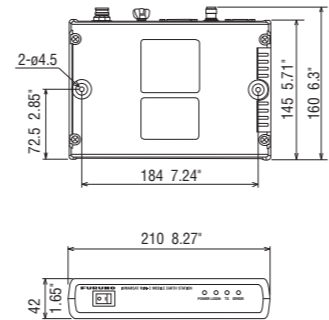
## EQUIPMENT LIST

<b>Standard</b>	1 Antenna Unit with 30 m cable IC-118	1 unit	1 Antenna Unit with 30 m cable IC-119	1 unit
	2 Terminal Unit with keyboard IC-218	1 unit	2 Communication Unit IC-219	1 unit
	3 Junction Box IC-318	1 unit	3 Junction Box IC-318*	1 unit
	4 SSAS Alert Unit IC-307*	2 unit	4 SSAS Alert Unit IC-307*	2 unit
	5 Installation materials		5 Installation materials	
	*applicable only for SSAS specification		*applicable only for SSAS specification	
<b>Option</b>	1 Distress Alert/Received Call Unit IC-305		1 AC/DC Power Supply Unit PR-240	
	2 Alarm Unit IC-306		2 SSAS Alert Unit IC-307**	
	3 AC/DC Power Supply Unit PR-240		3 Junction Box IC-318**	
	4 GPS Board Kit		4 Printer PP-510	
	5 SSAS Alert Unit IC-307**		**applicable only for non-SSAS specification	
	6 Printer PP-510		**applicable only for non-SSAS specification	

## Communication Unit

IC-219

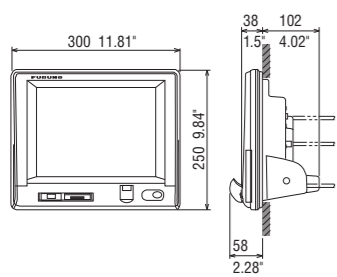
1.2 kg 2.65 lb



## Terminal Unit

IC-218

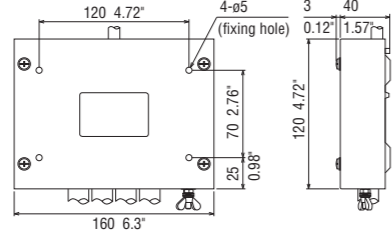
4.2 kg 9.26 lb



## Junction Box

IC-318

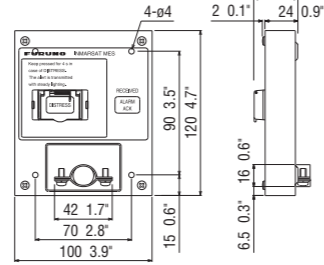
weight: TBC



## Distress Alert/Received Call Unit

IC-305

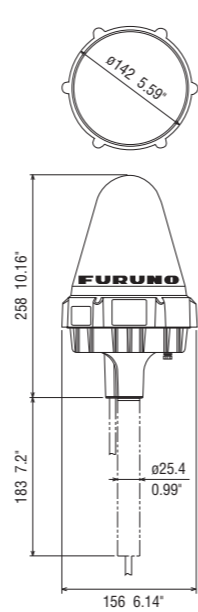
0.35 kg 0.77 lb



## Antenna Unit

IC-118/IC-119

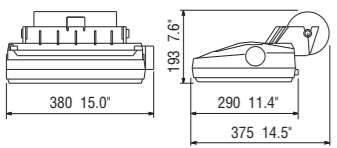
1.4 kg 3.09 lb



## Printer

PP-510

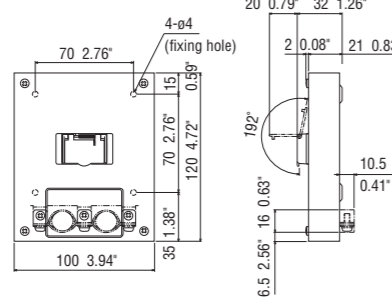
3.3 kg 7.3 lb



## SSAS Alert Unit

IC-307

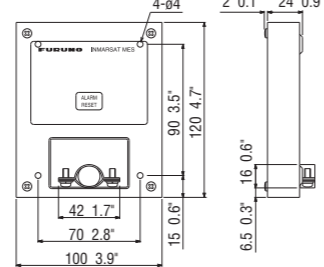
0.35 kg 0.77 lb



## Alarm Unit

IC-306

0.33 kg 0.7 lb



# MES

## INMARSAT-C Mobile Earth Station / INMARSAT MINI-C Mobile Earth Station



All brand and product names are registered trademarks, trademarks or service marks of their respective holders.  
SPECIFICATIONS SUBJECT TO CHANGE WITHOUT NOTICE

<b>FURUNO ELECTRIC CO., LTD.</b> Nishinomiya, Hyogo, Japan www.furuno.com <b>FURUNO U.S.A., INC.</b> Camas, Washington, U.S.A. www.furunousa.com <b>FURUNO (UK) LIMITED</b> Havant, Hampshire, U.K. www.furuno.co.uk <b>FURUNO FRANCE S.A.S.</b> Bordeaux-Mérignac, France www.furuno.fr	<b>FURUNO ESPAÑA S.A.</b> Madrid, Spain www.furuno.es <b>FURUNO DANMARK AS</b> Hvidovre, Denmark www.furuno.dk <b>FURUNO NORGE A/S</b> Ålesund, Norway www.furuno.no <b>FURUNO SVERIGE AB</b> Västra Frölunda, Sweden www.furuno.se	<b>FURUNO FINLAND OY</b> Espoo, Finland www.furuno.fi <b>FURUNO POLSKA Sp. Z o.o.</b> Gdynia, Poland www.furuno.pl <b>FURUNO EURUS LLC</b> St. Petersburg, Russian Federation www.furuno.com.ru	<b>FURUNO DEUTSCHLAND GmbH</b> Rellingen, Germany www.furuno.de <b>FURUNO HELLAS S.A.</b> Piraeus, Greece www.furuno.gr <b>RICO (PTE) LTD</b> Singapore www.rico.com.sg	12023SK Printed in Japan Catalogue No. W-3265
---	--	---	---	--

Models: FELCOM18  
FELCOM19

## Proven solutions for Inmarsat-C/Inmarsat MINI-C services fully incorporated SSAS and LRIT capabilities



Compatible with:



Model: FELCOM18



Compatible with:



Model: FELCOM19

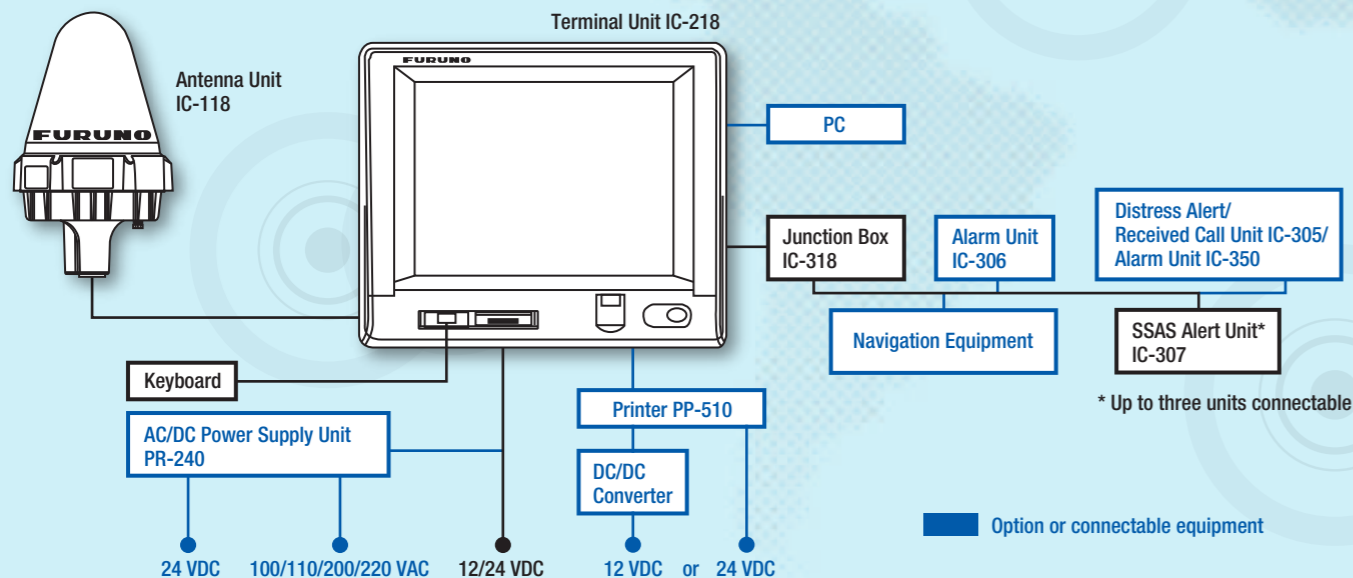
### Features of FELCOM18

- ▶ Inmarsat-C Ship Earth Station terminal for GMDSS application
- ▶ Full GMDSS compliance with optional printer and AC/DC power supply
- ▶ SSAS capability with SSAS Alert Units
- ▶ Compatibility with LRIT application
- ▶ Compatible with the following standard:  
IMO A.570(14), IMO A.664(16), IMO A.694(17), IMO A.807(19), IMO MSC.147(77), IMO MSC.36(63), IMO MSC.68(68) Annex 4, IMO MSC.97(73), IMO MSC.263.(84), MSC/Circ.862, IEC 60945 Ed. 4, IEC 61097-4 Ed. 2, IEC 61162-1 Ed. 4
- ▶ A wide variety of communication schemes available: telex, FAX, emailing, EGC, Data reporting/polling, etc.
- ▶ SD card for recording media
- ▶ GPS receiver (option)

### Features of FELCOM19

- ▶ Inmarsat MINI-C Mobile Earth Station terminal
- ▶ Compatibility with LRIT application
- ▶ SSAS capability with SSAS Alert Units
- ▶ A wide variety of communication schemes available: telex, FAX, emailing, EGC (non-GMDSS), Data reporting/polling, etc.
- ▶ GPS receiver incorporated
- ▶ Black-box configuration allows flexible installation

### Interconnection Diagram



### Interconnection Diagram

