



Compliant with GMDSS Requirement

# DESK Type (150W) MF/HF DSC, NBDP RADIO EQUIPMENT **SRG-3150D/DN**

Adoption of new conceptual **SYNTHESIZER**  
technology improves voice quality, no-noise!!



Dual display with NBDP terminal and SRG-3150DN



**SRG-3150D/DN**



**SAMYUNG ENC Co.,Ltd.**

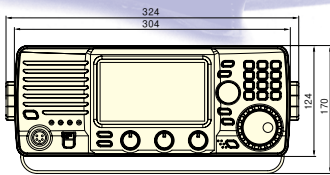
## FEATURES

- ▶ Compliant with ITU, IMO and GMDSS standard.
- ▶ Adoption of new conceptual SYNTHESIZER technology improves voice quality, no-nosie.
- ▶ Compact size and simplified key and dial enables to operate efficiently.
- ▶ Realization of dual display for NBDP terminal and SRG-3150DN makes it easier to read data.
- ▶ Designed DSC and W/K receiver built-in integrated transceiver.
- ▶ Available rapid scanning for the variation of transmitting power, frequencies and channel by group or individual.
- ▶ High stability for frequency with 10Hz Step Synthesizer.
- ▶ Storing up to 100 transmitted message(editable).
- ▶ Storing up to 100 received message.  
(50 messages for distress and 50 for ordinary)
- ▶ Self-diagnosis function for easy maintenance.
- ▶ Speaker built-in. (external speaker : option)

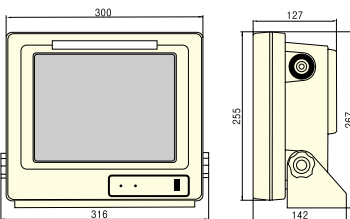
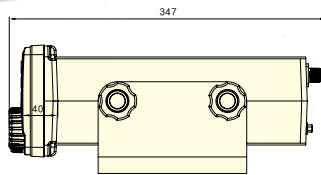


**150W MF/HF RADIO EQUIPMENT**  
**SRG-3150D/DN**

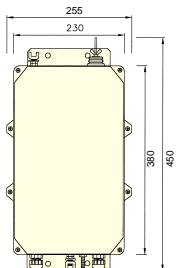
## DIMENSIONS



SRG-3150D/DN Weight:8.1Kg



NBDP TERMINAL (SN-100) Weight:5kg



ATU(SAT-100) Weight:3.4kg

## SPECIFICATIONS

### GENERAL

- Frequency range : TX : 1.6~27.5MHz (10Hz STEP)  
RX : 500KHz~29.9999MHz (10Hz STEP)
- TX/RX channel : ITU channel, 300 memory channel
- Frequency tolerance : Within 10HZ
- Type of emission : J3E, F1B, H3E
- Operation : Simplex & Semi-duplex
- Ambient temperature & Humidity : -15°C~+55°C, 95%
- Power supply : DC24V±15%  
(2.5A at Reception, 15A at Transmission)

### TRANSMITTER

- Type of emission and output : J3E(150W), F1B(100W)
- Modulation : Low level balanced
- Occupied bandwidth : Within J3E(3KHz), F1B(0.5KHz)
- Two-tone distress signal : 1300, 2100Hz

### RECEIVER

- Sensitivity : J3E 3uV, F1B 3uV, H3E 6uV, S/N 20dB 100m/w
- Intermediate frequency : 49.455MHz, 455KHz
- Overall distortion and noise : More than 20dB
- Input impedance : 50Ω

### DSC WATCH KEEPING RECEIVER

- Frequency : 2187.5, 4207.5, 6312, 8414.5, 12577, 16804.5KHz
- Type of emission : F1B
- Frequency shift keying : 1700±85Hz  
(Mark: 1615Hz, Space: 1785Hz)

- Data transfer speed: 100 baud
- Frequency tolerance : 10Hz

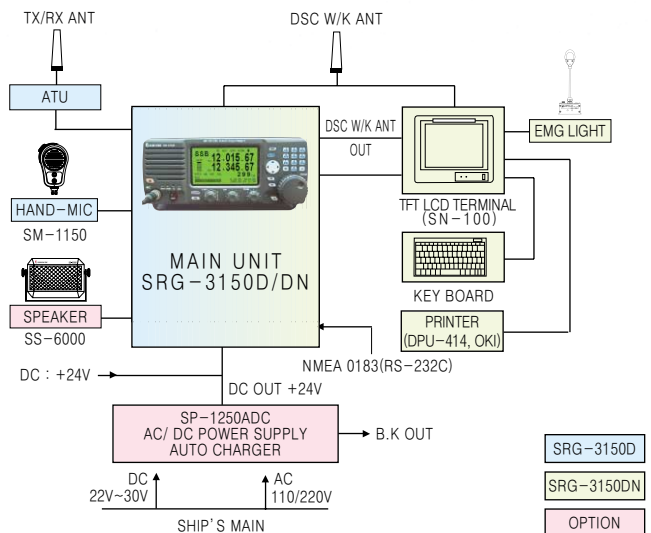
### NBDP

- Protocol : 625, 476-4, 490, 491, 492-3 & F130 by CCIR
- Communication mode : ARQ, CFEC, SFEC
- Memory : 16M
- Middle range of frequency : 1700 Hz
- Modulation speed : 100 BAUD(ARQ, FEC MODE)
- Type of modulation : AFSK
- Frequency tolerance : Within 0.5Hz

### NBDP COMPONENTS(SRG-3150DN)

- NBDP TERMINAL (SN-100)
- PRINTER (DPU-414, OKI)
- KEY BOARD (SPR-8695)

## CONFIGURATION



\* Specification is subject to change without pre-notice

**SAMYUNG ENC Co.,Ltd.**

Head Office : 1123-17, Dongsam-Dong, Youngdo-Gu, Busan, Korea, 606-083  
Tel : 82-51-601-5532(Rep.) Fax : 82-51-413-4446  
A/S Center : 65-20, 2-Ga Namhang-Dong, Yungdo-Gu, Busan, Korea, 606-032  
Tel : 82-51-601-5570-4(Rep.) Fax : 82-51-416-5515  
Http : //www.samyungenc.com



ISO 9001:2000 / KS A 9001:2001  
Certificate No. : RQM0645



KOSDAQ Listed Company