

NVR – 3000

VHF RADIO (GMDSS)

- Meet the latest ITU standards
- Large 7-inch color display
- Knob & touch screen operation
- 4-digital channels available
- Audio interface to VDR
- Data interace to INS (BAM System)



NVR-3000

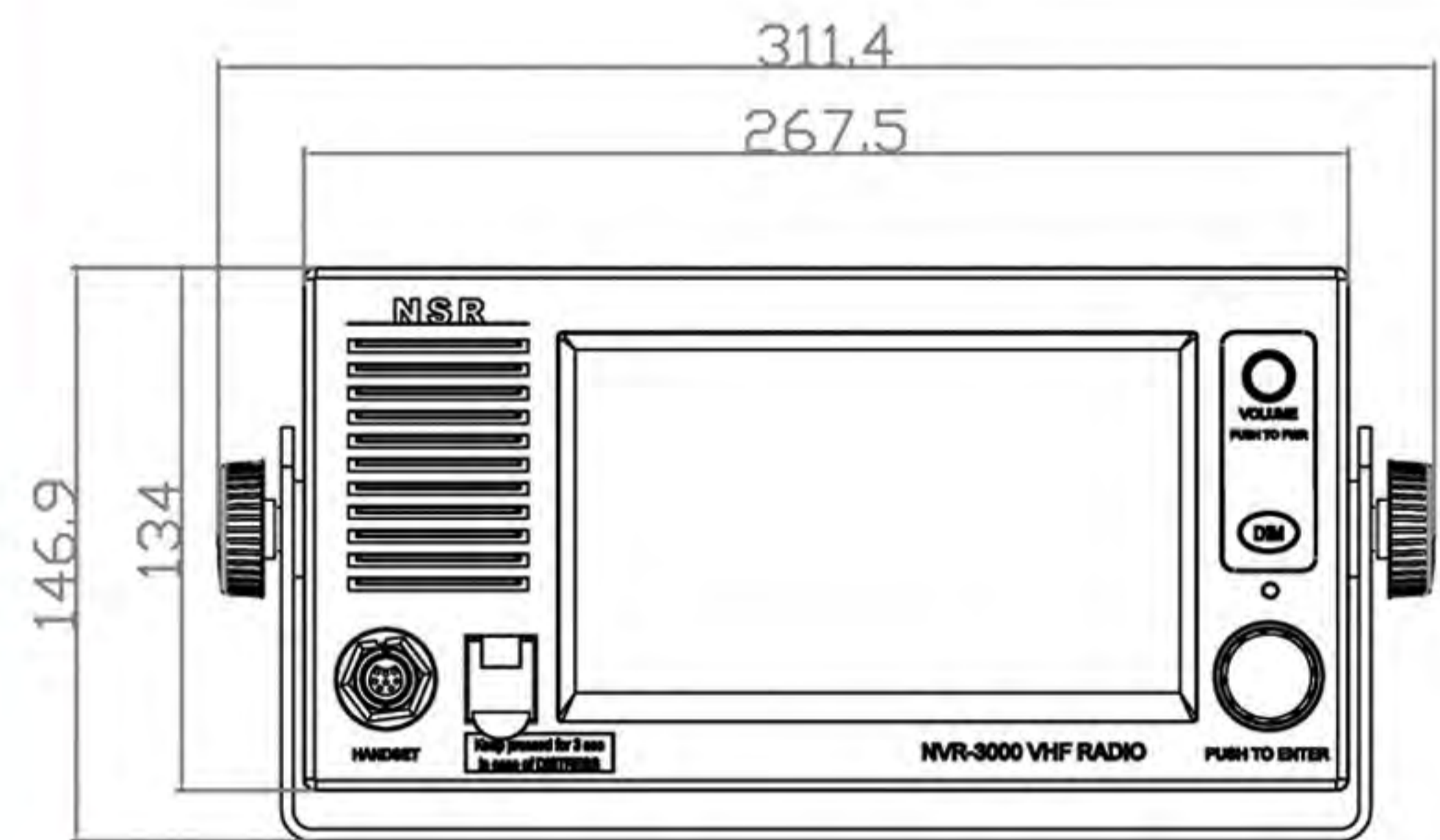
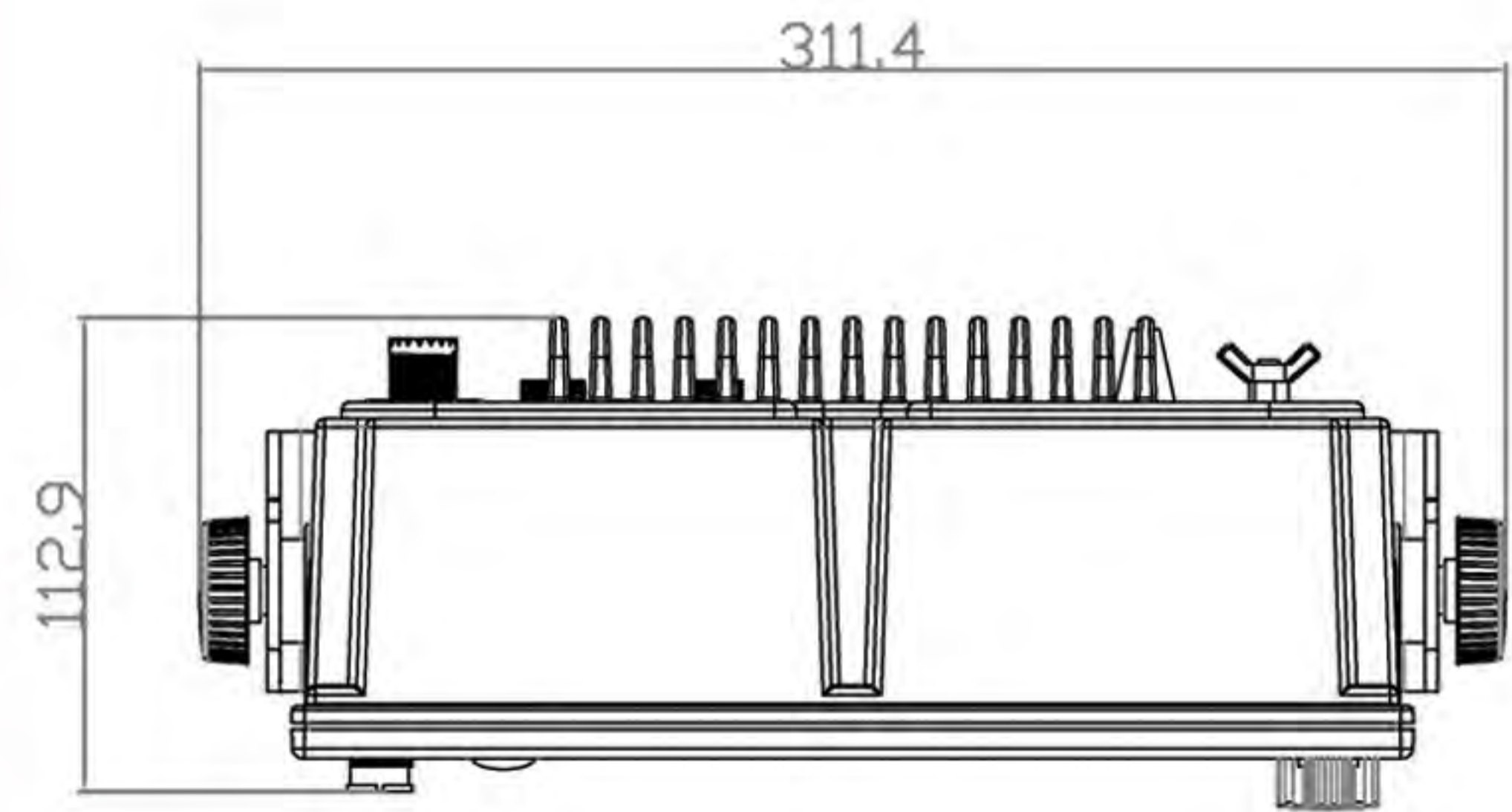
NVR-3000 VHF RADIO (GMDSS) is a high performance VHF device, capable of voice communication and DSC (digital selective calling) facilities as well. Conforming to Class A standard set for VHF DSC by ITU and IMO regulation, NVR-3000 can be part of onboard GMDSS package for vessels of A1, A2 or A3. Interfaces to VDR and BAM system are available on NVR-3000. NVR-3000 conforms to the regulations of ITU-R M.493-15, IEC61097-3: 2017, IEC61097-7: 2018, IEC62923-1: 2018, IEC62923-2: 2018.



SPECIFICATIONS

- TX Frequency: 156.025~157.425 MHz
- RX Frequency: 156.050~163.275 MHz
- Working Channel: ITU
- DSC Watch CH: CH70
- TX Power: 25W (high) / 1W (low)
- RX Sensitivity: $\leq 2 \mu V$ (SINAD=20dB)
- Display: 7 inch, color LCD, touch screen
- Interface
 - GNSS Input: RS422, 4800bps
 - VDR Output: 600 Ω balanced
 - INS I/O: RS422, 4800bps
 - Printer I/O: RS232, 4800bps
- Power Supply: 24 VDC (max 4A)
- Weight: 3kg
- IP Grade: IP22

SIZE DIMENSION



EQUIPMENT LIST

- **STANDARD**
 - Transceiver 1 pc
 - Handset 1 set
 - Accessories 1 set
- **OPTIONS**
 - AC/DC PSU 1 pc
 - VHF Antenna 2 pcs
 - Flush Mount Brackets 1 set

SYSTEM DIAGRAM

