

NSR's new echo sounder:

- SDR (Software Defined Radio) technology
- High accuracy and stability
- Large color LCD, touch screen operation
- Android O/S for easy operation
- Auto depth detection, auto range and auto gain functions
- BAM alarm function
- Meet the IMO and ISO standards



**NED-3007**



**NED-3010**

NED-3007/NED-3010 echo sounder is designed for vessel navigation, which provides reliable information about the depth of water under the vessel through transducers.

NED-3007/NED-3010 adopts SDR technology and Android O/S. It conforms to the standards of IMO MSC.74 (69) Annex 4: A.224 (VII) and ISO 9875.



## SPECIFICATIONS

- Channel: 2 channels
- Frequency: 200kHz (default), 50kHz (optional)
- Range: 0 ~ 600m
- TX Power: 600W
- O/S: Android
- LCD Display: Touch screen operation
  - Size: 7' (NED-3007), 10.1' (NED-3010)
  - Resolution: 1024×600 (NED-3007), 1280×800 (NED-3010)
- Interface: I/O sentence (IEC61162-1 & IEC61162-2)
- Power Supply: DC 24 V (9 V ~ 36 V)
- Size: 145 (H) × 264 (W) × 83 (D) mm (NED-3007)  
189.8 (H) × 321.3 (W) × 100.6 (D) mm (NED-3010)
- IP Grade: IP22 (Display Unit), IP67 (Transducer)

## EQUIPMENT LIST

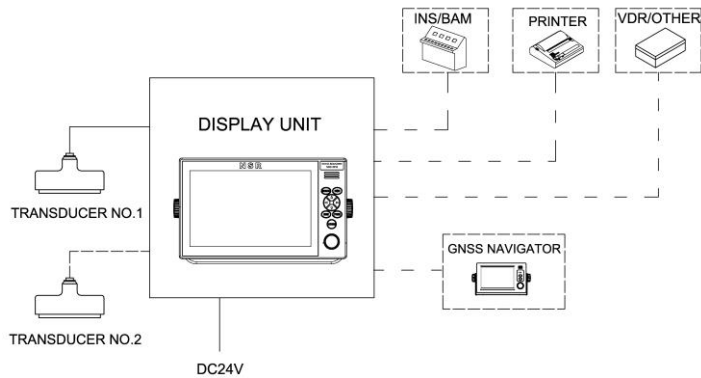
### ● STANDARD

- NED-3007/NED-3010 Display Unit 1 pc
- NXD-200A Transducer (15m) 1 pc
- Accessories 1 set

### ● OPTIONS

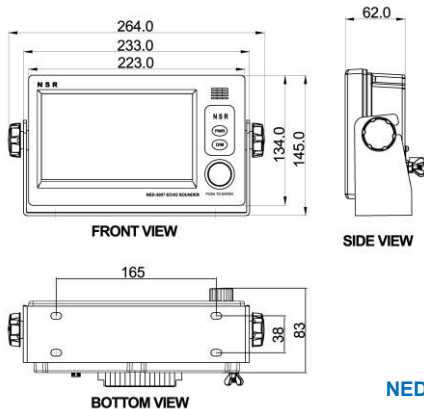
- Junction Box 1 pc
- NXD-200A Transducer (20m or others) 1 pc
- NXT-100 Transducer Tank 1 pc
- Flush Mount Bracket 1 pc

## SYSTEM DIAGRAM

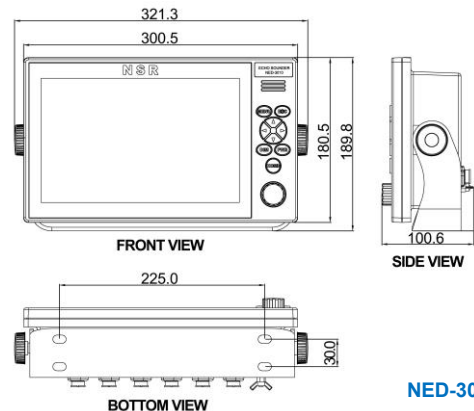


NED-3010/NED-3007

## SIZE DIMENSION



NED-3007



NED-3010